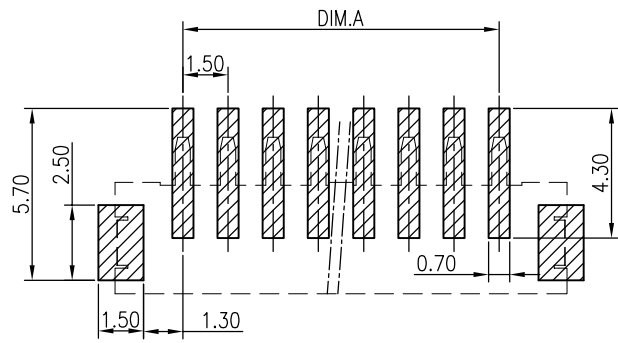
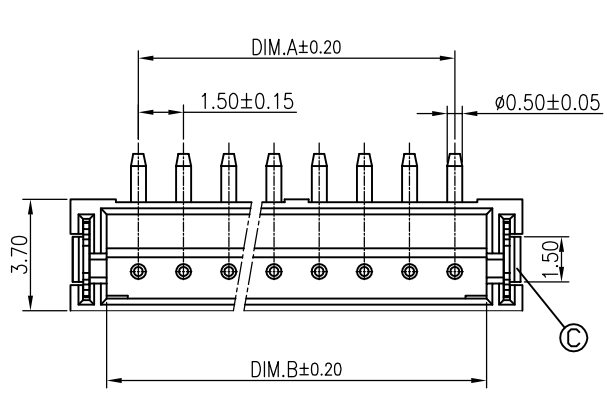


NOTE: THIS DRAWING WAS PRODUCED BY COMPUTER, DO NOT UPDATE MANUALLY

REV.	ECN NO.	DESCRIPTION	DESIGN	DATE
A0		新版发行	林飞	2017.08.17

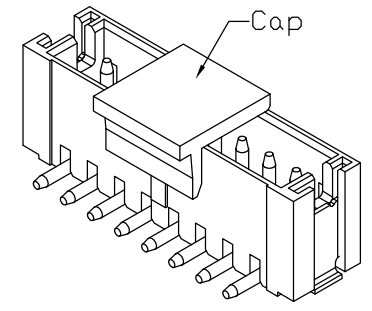
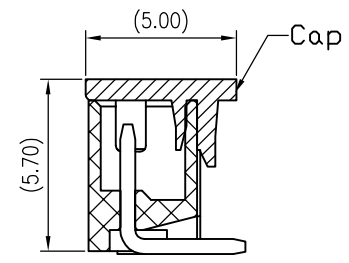
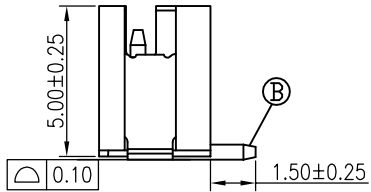
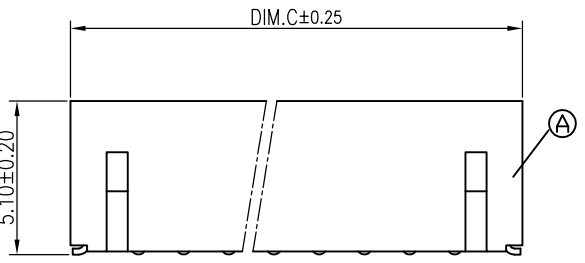
The drawing and specification is the property of ALINTAELECTRONICS CO., LTD. And shall not be reproduced, copied or used in any manner without the prior written consent of ours.



RECOMMENDED P.C.B. LAYOUT(±0.05)

TABLE:

Circuits	Dimensions (mm)		
	DIM. A	DIM. B	DIM. C
02	1.50	3.60	6.00
03	3.00	5.10	7.50
04	4.50	6.60	9.00
05	6.00	8.10	10.50
06	7.50	9.60	12.00
07	9.00	11.10	13.50
08	10.50	12.60	15.00
09	12.00	14.10	16.50
10	13.50	15.60	18.00
11	15.00	17.10	19.50
12	16.50	18.60	21.00
13	18.00	20.10	22.50
14	19.50	21.60	24.00
...
20	28.50	30.60	33.00



Part Number:

TJ-JS-27-XX SN751-R

Poles: 02~20

主要技术参数 Main Specifications
 线数 (Poles): 02 to 20
 接触电阻 (Contact Resistance): ≤20mΩ
 绝缘电阻 (Insulation Resistance): ≥500MΩ
 额定电压 (Rated Voltage): 125V AC DC
 额定电流 (Rated Current): 1.0A AC DC
 耐电压 (Withstand Voltage): 500V AC/Minute
 温度范围 (Temperature Range): -25°C ~ +85°C

C	Solder Tab	2 PCS	Brass	Sn-plated
B	CONTACT	n PCS	Brass	Sn-plated
A	HOUSING	1 PCS	LCP	UL 94V-0, COLOR:BEIGE
ITEM	COMPONENT	Q'TY	MATERIAL	FINISH

GENERAL TOLERANCE		日期	2017.08.17	UNITS	SCALE
X. ±0.50	X*. ±5°	核准		mm	1:1
.X ±0.30	.X* ±2°	审核		REV. A0	SHEET 1/1
.XX ±0.25	.XX* ±1°	制图	林飞	SIZE A4	C

ALINTA
Alinta Electronics Co., Ltd.

品名: A150-SMT-nA立贴针座加盖系列
 料号: TJ-JS-27-XX SN751-R
 图号: DWG-TJ-751

A

B

C

D

E

F