

The drawing and specification is the property of ALINTA ELECTRONICS CO., LTD. And shall not be reproduced, copied or used in any manner without the prior written consent of ours.

NOTE: THIS DRAWING WAS PRODUCED BY COMPUTER, DO NOT UPDATE MANUALLY

REV.	ECN NO.	DESCRIPTION	DESIGN	DATE
B4	ECN20180808	PCB尺寸更新	林飞	2018.08.20
C1	ECN20181206	修改结构改善抗冲击力	Robin	2018.12.20
C2	ECN20190305	修改端子弹点位置, 成品图作相应变更	Robin	2019.03.08
C3	ECN20190814	按客户要求修改麦拉位置	林飞	2019.08.10

NOTE:

- ELECTRICAL:**  
 VOLTAGE RATING:30VAC RMS;  
 CURRENT RATING:3.0 AMP;  
 CONTACT RESISTANCE:30mΩ MAX;  
 DIELECTRIC WITHSTANDING VOLTAGE:500V AC FOR ONE MINUTE AT SEA LEVEL;
- MECHANICAL:**  
 MATING FORCE:35N MAX  
 UNMATING FORCE:10N MIN
- ENVIRONMENTAL:**  
 OPERATING TEMPERATURE:-40℃ TO 85℃
- SALT SPRAY:24H AT 35%DC WITH 5%-SALT-SOLUTION CONCENTRATION.**
- MATERIAL:**  
 HOUSING:HIGH TEMP:LCP  
 CONTACT:COPPER ALLOY T=0.20  
 SHELL:STAINLESS STEEL T=0.30  
 MYLAR:POLYIMIDE FILM,BROWN
- PLATING:**  
 CONTACT: GOLD PLATING ON CONTACT AREA SEE TABLE  
 MATTE TIN PLATED ON SOLDER TAIL  
 ALL OVER NICKEL PLATING  
 SHELL: ALL OVER NICKEL PLATING

F  
E  
D  
C  
B  
A

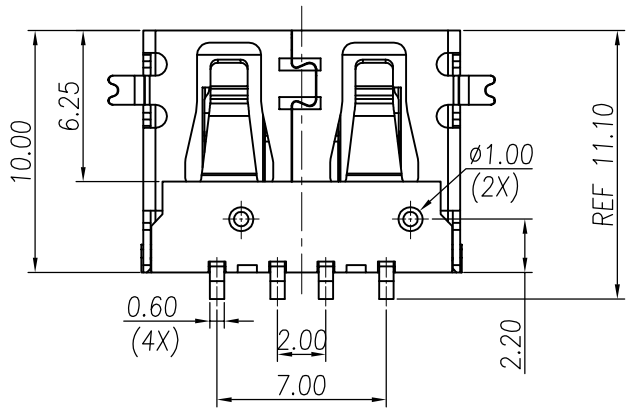
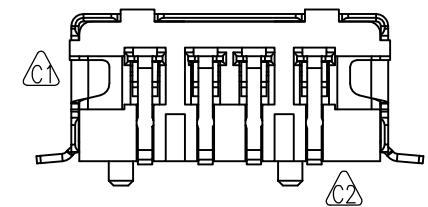
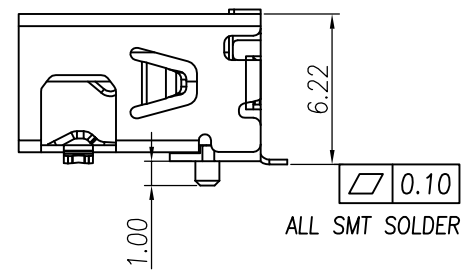
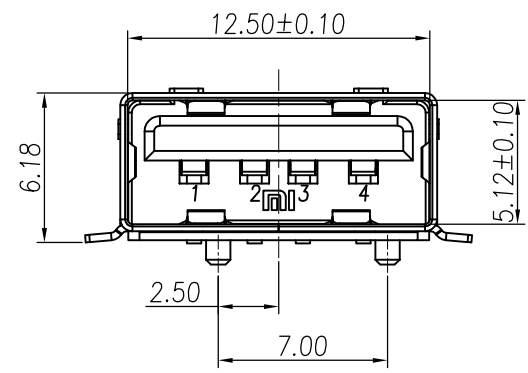
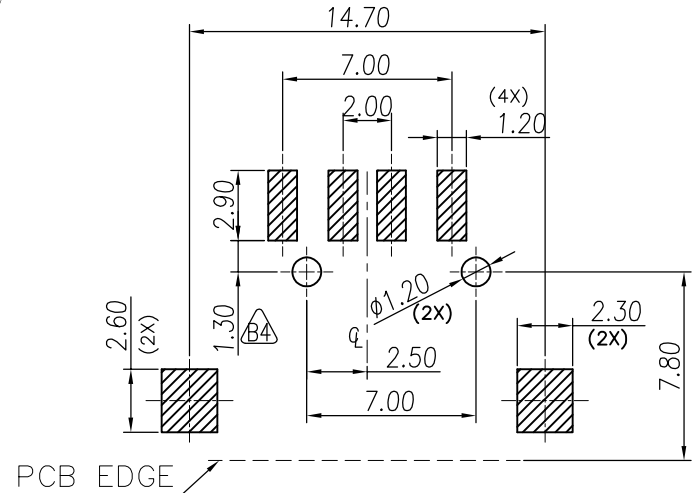
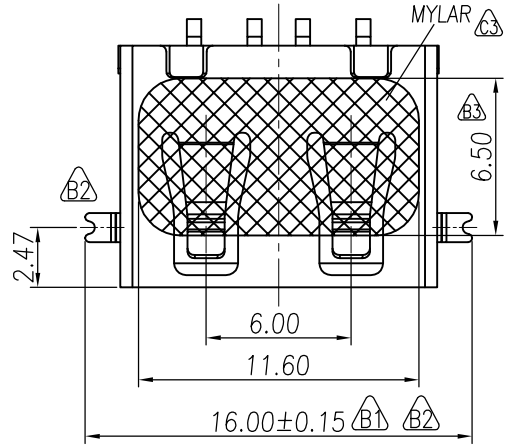
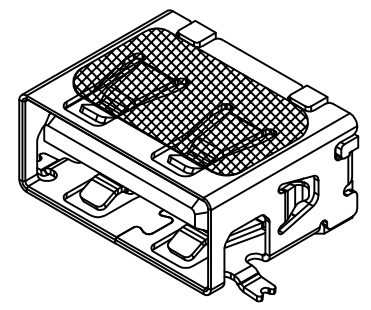


Table:

PART NO.	DESIGNATION	DESCRIPTION
U2-370403054-R	USB 2.0全贴母座 (L=10mm 带LOGO)	LCP白色 镀金3U"
U2-370403060-R	USB 2.0全贴母座 (L=10mm 带LOGO)	LCP黑色 镀金3U"
U2-370403061-R	USB 2.0全贴母座 (L=10mm 带LOGO)	LCP灰色 镀金3U"



GENERAL TOLERANCE	日期	2019.08.10	UNITS	SCALE
X. ±0.35 X°. ±5°	核准		mm	1:1
.X ±0.25 .X° ±3°	审核		REV. C3	SHEET 1/1
.XX ±0.20 .XX° ±2°	制图	林飞	SIZE A4	C

**ALINTA**  
 Alinta Electronics Co., Ltd.

品名:	USB 2.0全贴母座 (L=10mm 带LOGO)
料号:	SEE TABLE
图号:	DWG-U2-054