

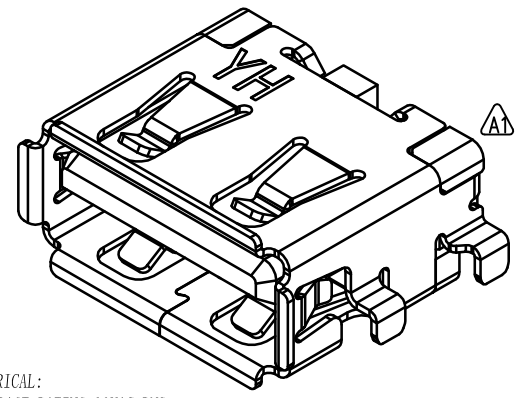
The drawing and specification is the property of ALINTA ELECTRONICS CO., LTD. And shall not be reproduced, copied or used in any manner without the prior written consent of ours.

8 7 6 5 4 3 2 1

NOTE: THIS DRAWING WAS PRODUCED BY COMPUTER, DO NOT UPDATE MANUALLY

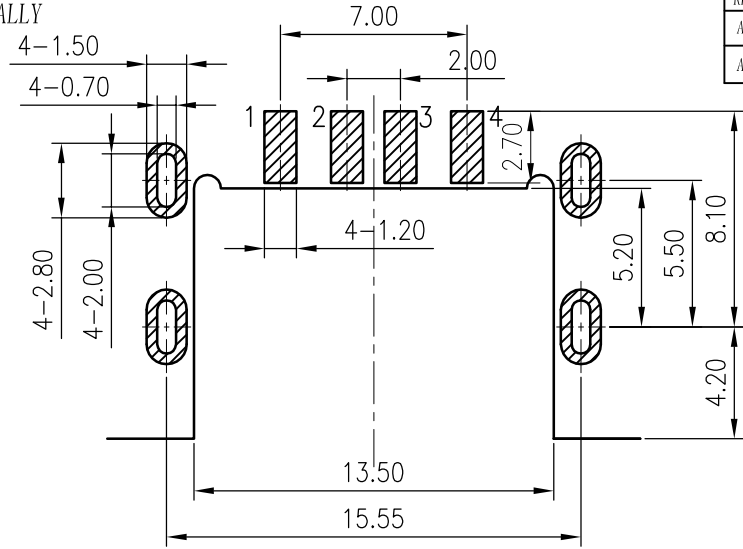
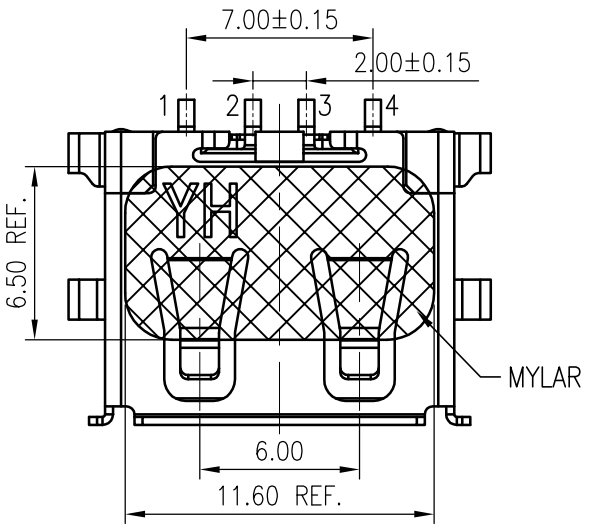
REV.	ECN NO.	DESCRIPTION	DESIGN	DATE
A0		新版发行	Robin	2019.10.30
A1		变更结构	Robin	2020.01.15

CONTACT NUMBER	SIGNAL NAME
1	VBUS
2	D-
3	D+
4	GND



NOTE:

- ELECTRICAL:
 - VOLRAGE RATING: 30VAC RMS;
 - CURRENT RATING: 3.0 AMP;
 - CONTACT RESISTANCE: 30mΩ MAX;
 - DIELECTRIC WITHSTANDING VOLTAGE: 500V AC FOR ONE MINUTE AT SEA LEVEL;
- MECHANICAL:
 - MATING FORCE: 20N MAX.
 - UNMATING FORCE: BEFORE LIFE TEST 10-22N
AFTER LIFE TEST 8-22N
- ENVIRONMENTAL:
 - OPERATING TEMPERATURE: -40°C TO 85°C
- SALT SPRAY: 48H AT 35%DC WITH 5%-SALT-SOLUTION CONCENTRATION.
- MATERIAL:
 - HOUSING: SEE TABLE
 - CONTACT: COPPER ALLOY T=0.20mm
 - SHELL: STAINLESS STEEL T=0.30mm
- PLATING:
 - CONTACT: 3u" Au PLATING ON CONTACT AREA AND MATTE TIN PLATED ON SOLDER TAIL
 - ALL OVER NICKEL PLATING
 - SHELL: NICKEL PLATING



RECOMMENDED P.C.B LAYOUT (COMPONENT SIDE)
P.C.B THICKNESS=1.20mm (TOLERANCE=±0.05)

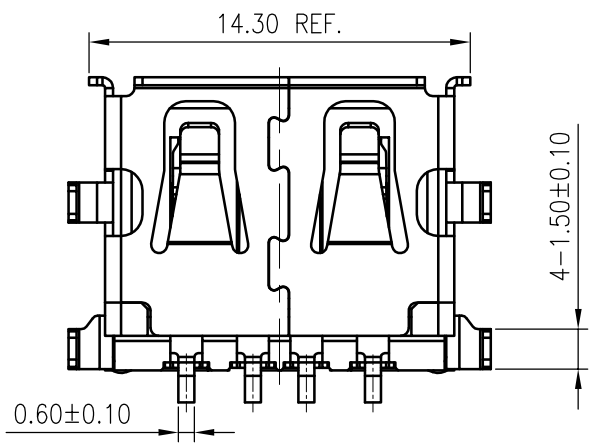
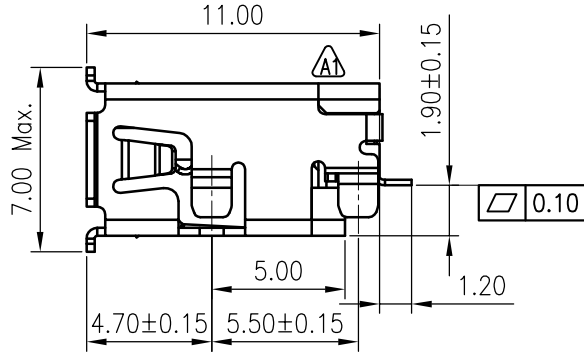
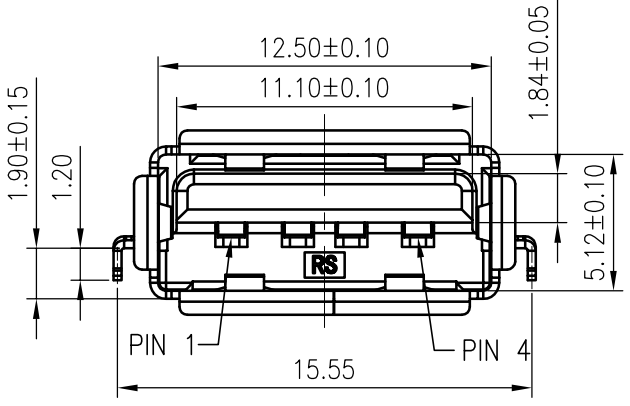


Table:

PART NO.	DESCRIPTION
U2-370403121-R	LCP白色 镀金3U"
U2-370403133-R	LCP黑色 镀金3U"
U2-370403134-R	PA10T蓝色 镀金3U"

GENERAL TOLERANCE		日期	2020.01.15	UNITS	SCALE
X. ±0.50	X*. ±5°	核准		mm	1:1
.X ±0.30	.X* ±3°	审核		REV. A1	SHEET 1/1
.XX ±0.20	.XX* ±2°	制图	Robin	SIZE A4	C



Alinta Electronics Co., Ltd.

品名:	USB 2.0短体母座沉板1.9H卷边		
料号:	SEE TABLE	图号:	DWG-U2-121