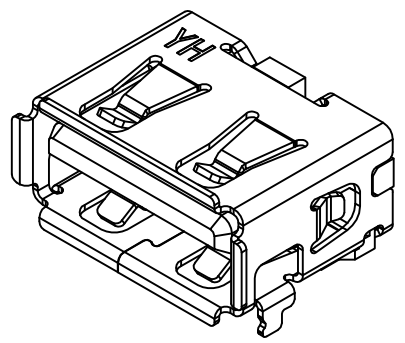


The drawing and specification is the property of ALINTAELECTRONICS CO., LTD. And shall not be reproduced, copied or used in any manner without the prior written consent of ours.

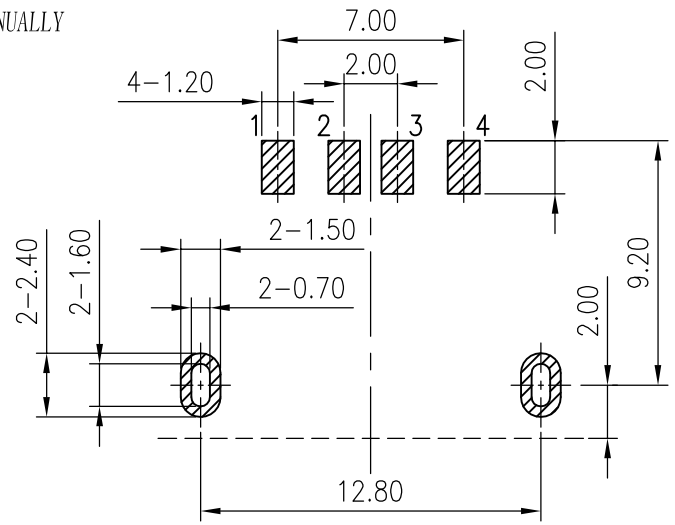
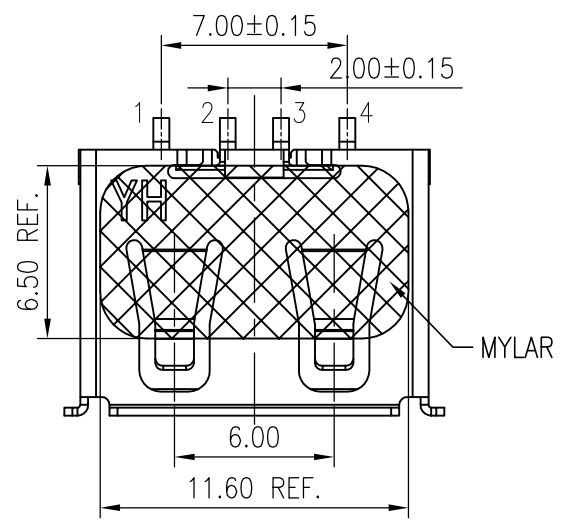
NOTE: THIS DRAWING WAS PRODUCED BY COMPUTER, DO NOT UPDATE MANUALLY

REV.	ECN NO.	DESCRIPTION	DESIGN	DATE
A0		新版发行	Robin	2019. 10. 22

CONTACT NUMBER	SIGNAL NAME
1	VBUS
2	D-
3	D+
4	GND



- NOTE:
- ELECTRICAL:**  
 VOLRAGE RATING:30VAC RMS;  
 CURRENT RATING:3.0 AMP;  
 CONTACT RESISTANCE:30mΩ MAX;  
 DIELECTRIC WITHSTANDING VOLTAGE:500V AC FOR ONE MINUTE AT SEA LEVEL;
  - MECHANICAL:**  
 MATING FORCE:20N MAX.  
 UNMATING FORCE: BEFORE LIFE TEST 10-22N  
 AFTER LIFE TEST 8-22N
  - ENVIRONMENTAL:**  
 OPERATING TEMPERATURE:-40℃ TO 85℃
  - SALT SPRAY:48H AT 35%DC WITH5%-SALT-SOLUTION CONCENTRATION.**
  - MATERIAL:**  
 HOUSING:SEE TABLE  
 CONTACT:COPPER ALLOY T=0.20mm  
 SHELL:STAINLESS STEEL T=0.30mm
  - PLATING:**  
 CONTACT: 3u" Au PLATING ON CONTACT AREA AND MATTE TIN PLATED ON SOLDER TAIL  
 ALL OVER NICKEL PLATING  
 SHELL: NICKEL PLATING



RECOMMENDED P.C.B LAYOUT(COMPONENT SIDE)  
 P.C.B THICKNESS=1.20mm(TOLERANCE=±0.05)

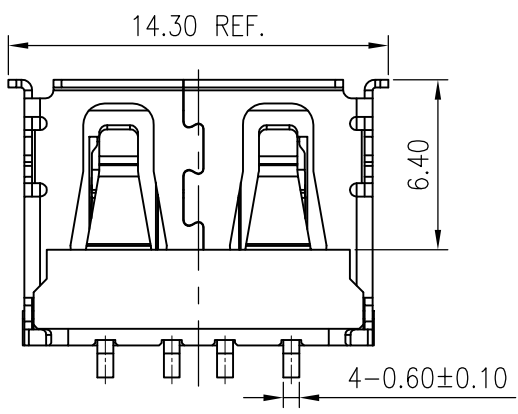
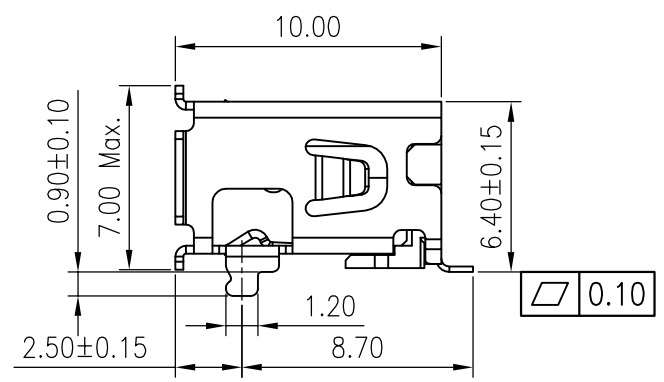
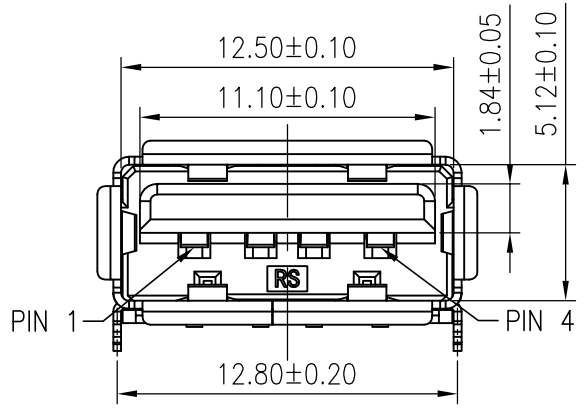


Table:

PART NO.	DESCRIPTION
U2-370403119-R	LCP白色 镀金3U"
U2-370403129-R	LCP黑色 镀金3U"
U2-370403130-R	PA10T蓝色 镀金3U"

GENERAL TOLERANCE		日期	2019. 10. 22	UNITS	mm	SCALE	1:1	
X. ±0.50	X*. ±5°	核准		REV.	A0	SHEET	1/1	
.X ±0.30	.X* ±3°	审核		SIZE	A4	C	品名:	
.XX ±0.20	.XX* ±2°	制图	Robin	料号:		SEE TABLE	图号:	
							Alinta Electronics Co., Ltd.	
							USB 2.0短体板上前插后贴母座	
							DWG-U2-119	