

NOTE: THIS DRAWING WAS PRODUCED BY COMPUTER, DO NOT UPDATE MANUALLY

REV.	ECN NO.	DESCRIPTION	DESIGN	DATE
A0		新版发行	林飞	2020.08.07

F
E
D
C
B
A
The drawing and specification is the property of ALINTA ELECTRONICS CO., LTD. And shall not be reproduced, copied or used in any manner without the prior written consent of ours.

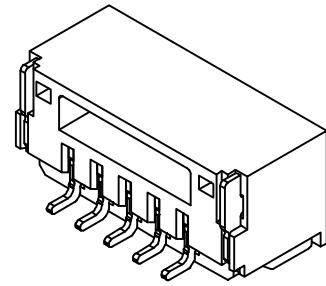
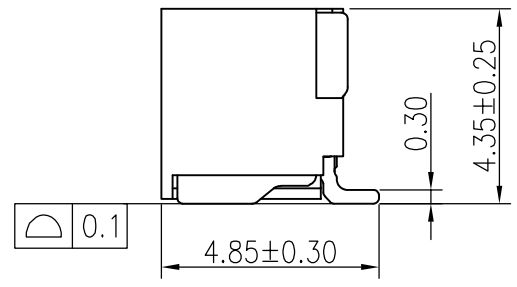
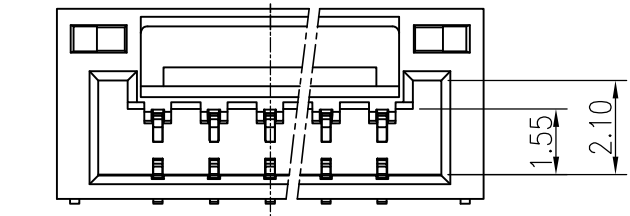
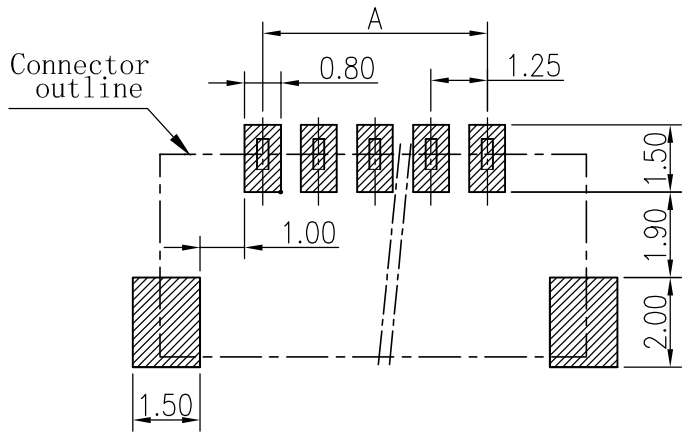
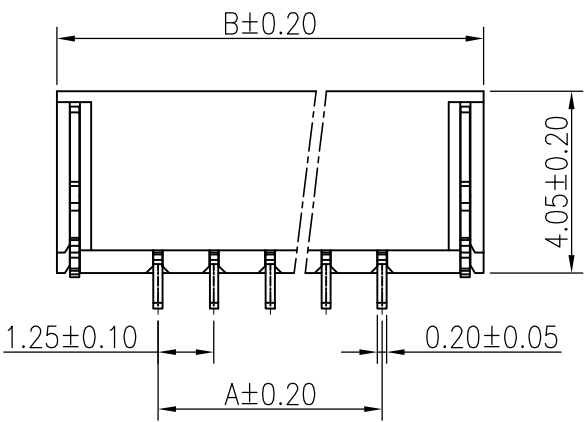


TABLE:

尺寸 孔位	DIM. A	DIM. B
2P	1.25	5.75
3P	2.50	7.00
4P	3.75	8.25
5P	5.00	9.50
6P	6.25	10.75
7P	7.50	12.00
8P	8.75	13.25
9P	10.00	14.50
10P	11.25	15.75
11P	12.50	17.00
12P	13.75	18.25
13P	15.00	19.50
.....
20P	23.75	28.25



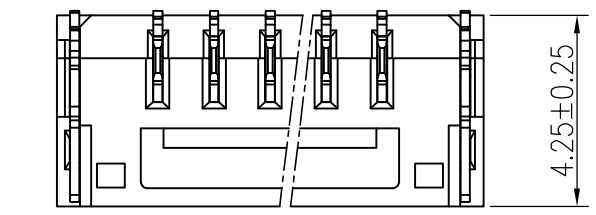
RECOMMENDED P.C.B. LAYOUT

General tolerance: ±0.05

主要技术参数 Main Specifications
 线数 (Poles): 02 to 16
 接触电阻 (Contact Resistance): ≤20mΩ
 绝缘电阻 (Insulation Resistance): ≥100MΩ
 额定电压 (Rated Voltage): 50V AC DC
 额定电流 (Rated Current): 1.0A AC DC
 耐电压 (Withstand Voltage): 500V AC/Minute
 温度范围 (Temperature Range): -20℃ ~ +70℃

Part Number:
TJ-JS-22-XX SN737-R

Poles: 02~16



C	SOLDER TAB	2 PCS	PhosphorBronze	MATTE Sn-plated
B	CONTACT	02~16PCS	PhosphorBronze	MATTE Sn-plated
A	PEDESTAL	1 PCS	LCP	UL 94V-0, COLOR:BEIGE
TEM	COMPONENT	Q'TY	MATERIAL	FINISH

GENERAL TOLERANCE		日期	2020.08.07	UNITS	SCALE
X. ±0.50	X°. ±5°	核准		mm	1:1
.X ±0.30	.X° ±2°	审核		REV.	SHEET
.XX ±0.25	.XX° ±1°	制图	林飞	A0	1/1
				SIZE	C
				A4	


Alinta Electronics Co., Ltd.
 品名: A125-SMT-nAW卧贴针座系列
 料号: 见料号说明 图号: DWG-TJ-737