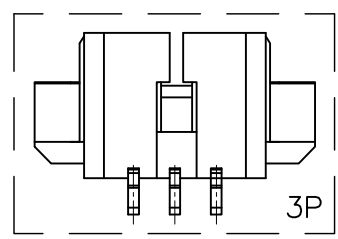
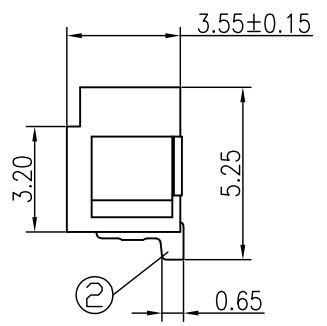
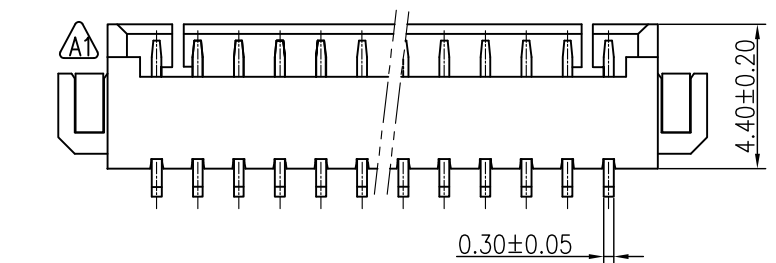
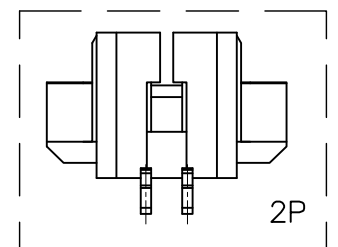
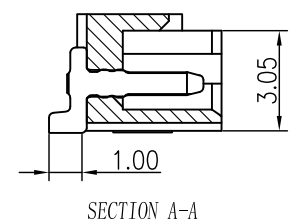
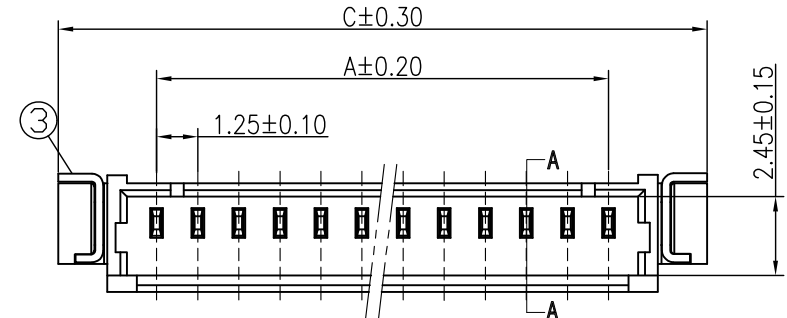


NOTE: THIS DRAWING WAS PRODUCED BY COMPUTER, DO NOT UPDATE MANUALLY

REV.	ECN NO.	DESCRIPTION	DESIGN	DATE
A0		新版发行	林飞	2020.10.11
A1	ECN20220201	图面焊片形状更新与实物一致	林飞	2022.02.21



A1251-SMT-2AW/3AW示意图

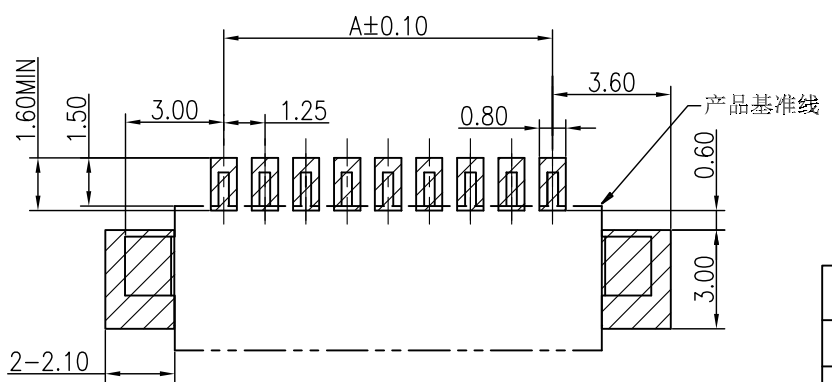
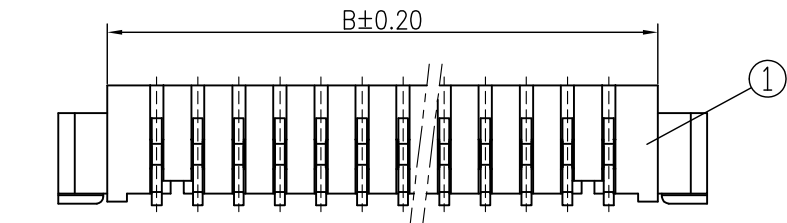
TABLE:

尺寸 孔位	DIM. A	DIM. B	DIM. C
2P	1.25	4.25	7.30
3P	2.50	5.50	8.55
4P	3.75	6.75	9.80
5P	5.00	8.00	11.05
6P	6.25	9.25	12.30
7P	7.50	10.50	13.55
8P	8.75	11.75	14.80
9P	10.00	13.00	16.05
10P	11.25	14.25	17.30
11P	12.50	15.50	18.55
12P	13.75	16.75	19.80
13P	15.00	18.00	21.05
14P	16.25	19.25	22.30
15P	17.50	20.50	23.55
16P	18.75	21.75	24.80

主要技术参数 Main Specifications
 线数 (Poles): 02 to 16
 接触电阻 (Contact Resistance): $\leq 30m\Omega$
 绝缘电阻 (Insulation Resistance): $\geq 1000M\Omega$
 额定电压 (Rated Voltage): 200V AC DC
 额定电流 (Rated Current): 1.0A AC DC
 耐电压 (Withstand Voltage) 1000V AC/Minute
 温度范围 (Temperature Range): $-20^{\circ}C \sim +85^{\circ}C$

Part Number:
TJ-JS-22-XX SN985-R

Poles: 02~16



RECOMMENDED P.C.B. LAYOUT

TEM	COMPONENT	Q'TY	MATFRIAL	FINISH
3	SOLDER TAB	2 PCS	Brass	MATTE Sn-plated
2	CONTACT	02~16PCS	Brass	Sn/Gold/MATTE Sn-plated
1	PEDESTAL	1 PCS	LCP	UL 94V-0, COLOR:BEIGE

GENERAL TOLERANCE		日期	2022.02.21	UNITS	mm	SCALE	1:1
X.	±0.50	X°.	±5°	核准		REV.	A1
.X	±0.30	.X°.	±2°	审核		SIZE	A4
.XX	±0.25	.XX°.	±1°	制图	林飞	品名:	A1251-SMT-nAW卧贴针座系列
						料号:	见料号说明
						图号:	DWG-TJ-985



The drawing and specification is the property of ALINTA ELECTRONICS CO., LTD. And shall not be reproduced, copied or used in any manner without the prior written consent of ours.