

NOTE: THIS DRAWING WAS PRODUCED BY COMPUTER, DO NOT UPDATE MANUALLY

REV.	ECN NO.	DESCRIPTION	DESIGN	DATE
A0		新版发行	林飞	2020.08.07

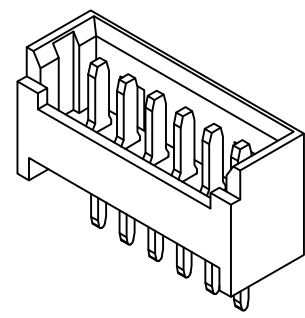
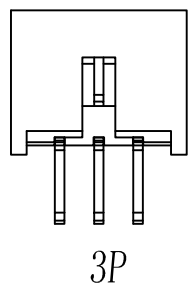
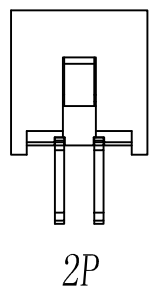
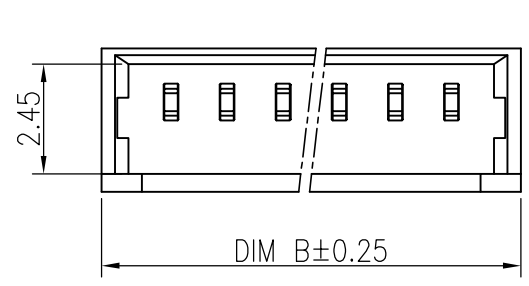
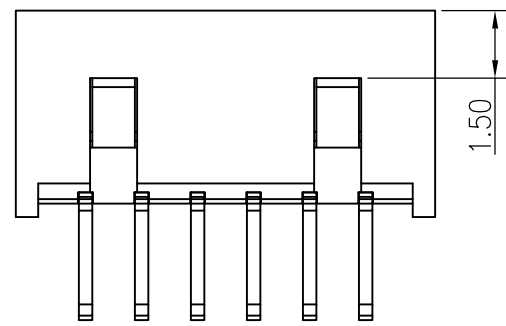
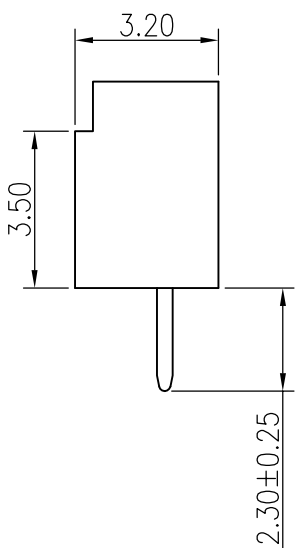
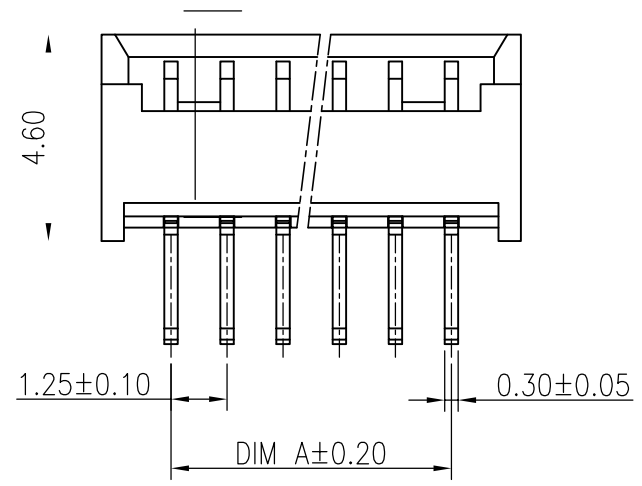
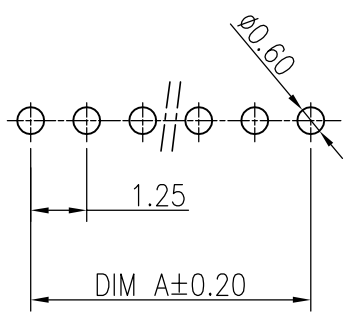


TABLE:

Circuits	Dimensions (mm)	
	A	B
02	1.25	4.30
03	2.50	5.55
04	3.75	6.80
05	5.00	8.05
06	6.25	9.30
07	7.50	10.55
08	8.75	11.80
09	10.00	13.05
10	11.25	14.30
11	12.50	15.55
12	13.75	16.80
13	15.00	18.05
...
20	23.75	26.80



主要技术参数 Main Specifications
 线数 (Poles): 02 to 20
 接触电阻 (Contact Resistance): ≤ 30mΩ
 绝缘电阻 (Insulation Resistance): ≥ 1000MΩ
 额定电压 (Rated Voltage): 200V AC DC
 额定电流 (Rated Current): 1.0A AC DC
 耐电压 (Withstand Voltage) 500V AC/Minute
 温度范围 (Temperature Range): -20°C ~ +85°C



RECOMMENDED P.C.B. LAYOUT
 General tolerance: ±0.05

料号说明:
 TJ-22 XX SN992-R
 Poles: 02~20

B	CONTACT	02~20PCS	C2680	MATTE Sn-plated
A	PEDESTAL	1 PCS	PA66	UL 94V-0, COLOR: 纯
TEM	COMPONENT	Q'TY	MATERIAL	FINISH

GENERAL TOLERANCE		日期	2020.08.07	UNITS	SCALE
X. ±0.50	X°. ±5°	核准		mm	1:1
.X ±0.30	.X° ±2°	审核		REV. A0	SHEET 1/1
.XX ±0.25	.XX° ±1°	制图	林飞	SIZE A4	C

ALINTA
Alinta Electronics Co., Ltd.

品名: A1251-nA直针针座系列
 料号: 见料号说明
 图号: DWG-TJ-992