

8 7 6 5 4 3 2 1

NOTE: THIS DRAWING WAS PRODUCED BY COMPUTER, DO NOT UPDATE MANUALLY

REV.	ECN NO.	DESCRIPTION	DESIGN	DATE
A0		新版发行	林飞	2019.06.02

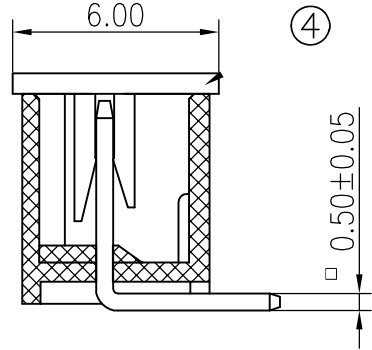
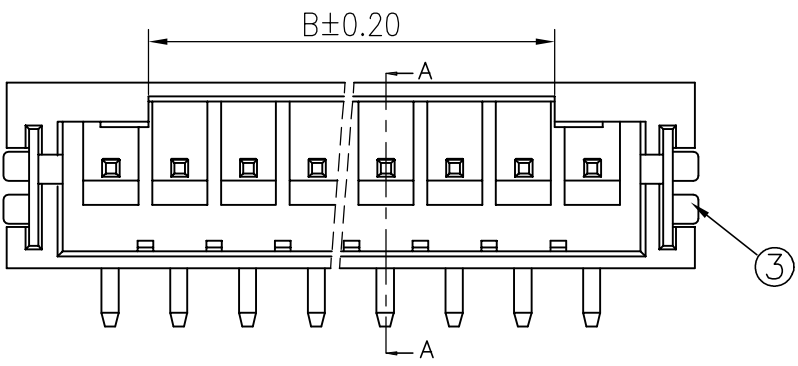
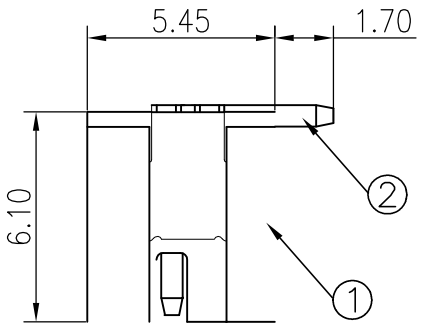
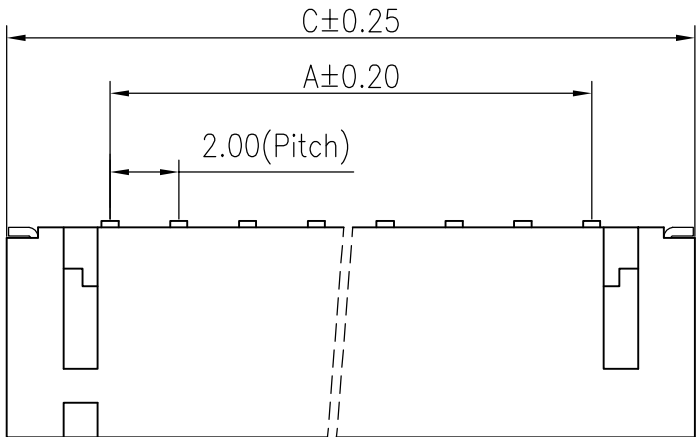
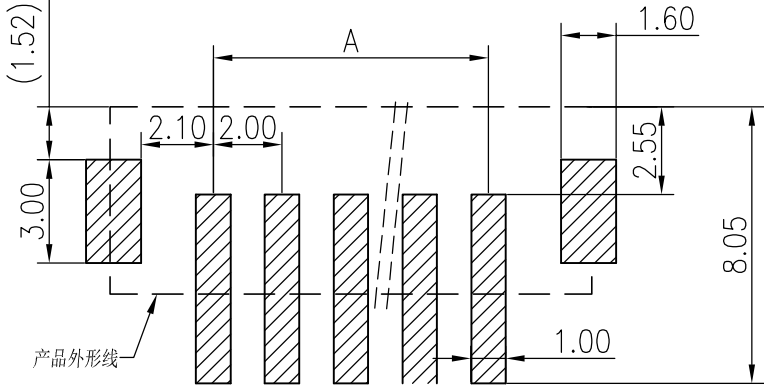


TABLE:

尺寸 孔位	DIM. A	DIM. B	DIM. C
2P	2.00	0.80	8.00
3P	4.00	2.00	10.00
4P	6.00	4.00	12.00
5P	8.00	6.00	14.00
6P	10.00	8.00	16.00
7P	12.00	10.00	18.00
8P	14.00	12.00	20.00
9P	16.00	14.00	22.00
10P	18.00	16.00	24.00
11P	20.00	18.00	26.00
12P	22.00	20.00	28.00
13P	24.00	22.00	30.00
14P	26.00	24.00	32.00
15P	28.00	26.00	34.00
16P	30.00	28.00	36.00

主要技术参数 Main Specifications
 线数 (Poles): 02 to 16
 接触电阻 (Contact Resistance): $\leq 30m\Omega$
 绝缘电阻 (Insulation Resistance): $\geq 1000M\Omega$
 额定电压 (Rated Voltage): 125V AC DC
 额定电流 (Rated Current): 1.0A AC DC
 耐电压 (Withstand Voltage) 1000V AC/Minute
 温度范围 (Temperature Range): $-25^{\circ}C \sim +85^{\circ}C$



RECOMMENDED P.C.B. LAYOUT
 General Tolerance: ± 0.05

料号说明:
 TJ-37 XX SN685-R
 孔数: 02~16

4	CAP	1 PCS		
3	SOLDER TAB	2 PCS	Brass	Sn-plated
2	CONTACT	02~16PCS	Brass	Sn-plated
1	PEDESTAL	1 PCS	LCP	UL 94V-0, COLOR:BEIGE
TEM	COMPONENT	Q'TY	MATERIAL	FINISH

GENERAL TOLERANCE		日期	2017.06.25	UNITS	SCALE
X. ± 0.50	X'. $\pm 5^{\circ}$	核准		mm	1:1
.X ± 0.30	.X' $\pm 2^{\circ}$	审核		REV. A0	SHEET 1/1
.XX ± 0.25	.XX' $\pm 1^{\circ}$	制图	林飞	SIZE A4	C

ALINTA
 Alinta Electronics Co., Ltd.

品名: A200-SMT-nA立贴I型针座加盖系列
 料号: SEE TABLE
 图号: DWG-TJ-685

F
E
D
C
B
A