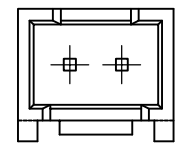
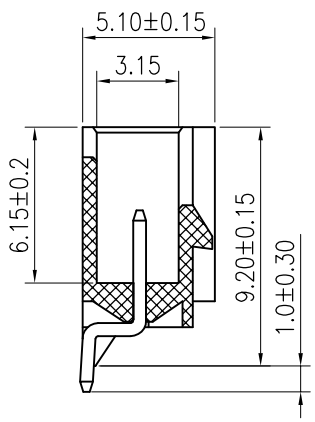
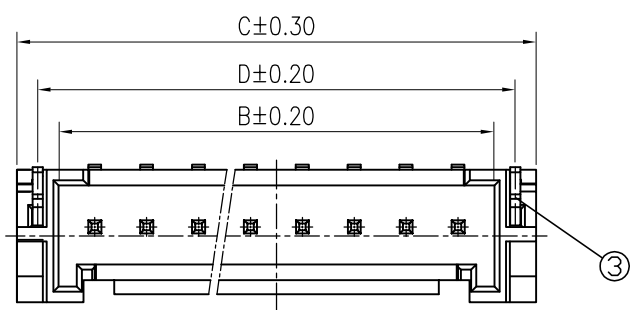


8 7 6 5 4 3 2 1  
 NOTE: THIS DRAWING WAS PRODUCED BY COMPUTER, DO NOT UPDATE MANUALLY

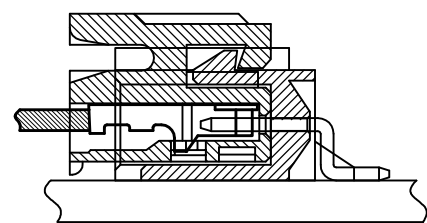
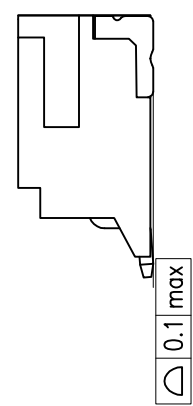
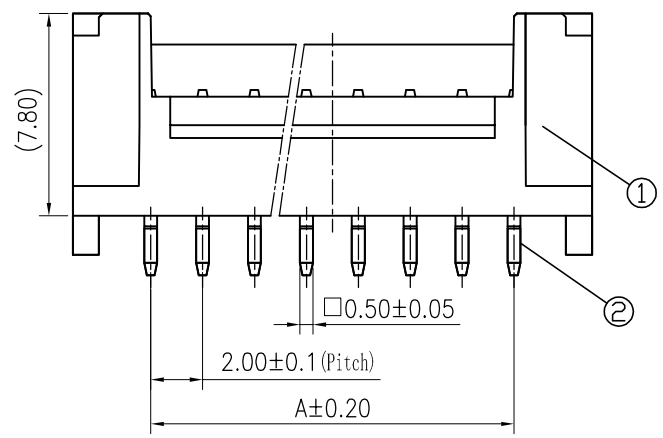
REV.	ECN NO.	DESCRIPTION	DESIGN	DATE
A0		新版发行	林飞	2019.06.02



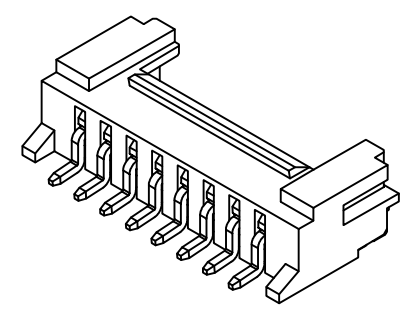
2 PIN

TABLE:

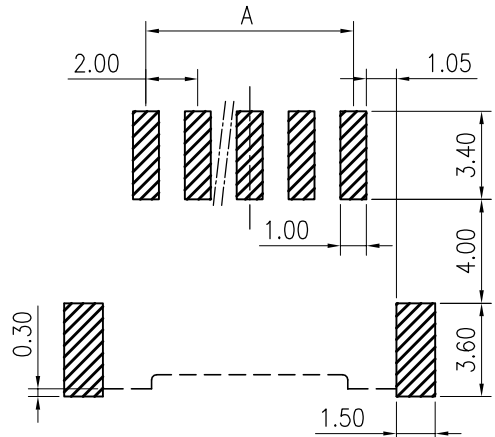
PIN数	尺寸 (mm)			
	A	B	C	D
2	2.00	4.90	8.00	6.40
3	4.00	6.90	10.00	8.40
4	6.00	8.90	12.00	10.40
5	8.00	10.90	14.00	12.40
6	10.00	12.90	16.00	14.40
7	12.00	14.90	18.00	16.40
8	14.00	16.90	20.00	18.40
9	16.00	18.90	22.00	20.40
10	18.00	20.90	24.00	22.40
11	20.00	22.90	26.00	24.40
12	22.00	24.90	28.00	26.40
13	24.00	26.90	30.00	28.40
14	26.00	28.90	32.00	30.40
15	28.00	30.90	34.00	32.40
16	30.00	32.90	36.00	34.40



Assembly Layout



主要技术参数 Main Specifications  
 线数 (Poles): 02 to 16  
 接触电阻 (Contact Resistance): ≤20mΩ  
 绝缘电阻 (Insulation Resistance): ≥1000MΩ  
 额定电压 (Rated Voltage): 250V AC DC  
 额定电流 (Rated Current): 2.0A AC DC  
 耐电压 (Withstand Voltage): 1000V AC/Minute  
 温度范围 (Temperature Range): -20℃ ~ +85℃



RECOMMENDED P.C.B. LAYOUT(±0.05)

料号说明:  
 TJ-37 XX SN688-R  
 Poles: 02~16

C	Solder Tab	2 PCS	Brass	Sn-plated
B	CONTACT	n PCS	Brass	Sn-plated
A	HOUSING	1 PCS	LCP	UL 94V-0, COLOR:BEIGE
ITEM	COMPONENT	Q'TY	MATERIAL	FINISH

GENERAL TOLERANCE		日期	2019.06.02	UNITS	SCALE
X.	±0.50	X'.	±5°	mm	1:1
.X	±0.30	.X'	±2°	REV.	SHEET
.XX	±0.25	.XX'	±1°	A0	1/1
		核准		SIZE	C
		审核		A4	
		制图	林飞		

**ALINTA**  
 Alinta Electronics Co., Ltd.

品名: A2002-SMT-nAW卧贴带钩针座系列  
 料号: SEE TABLE 图号: DWG-TJ-688