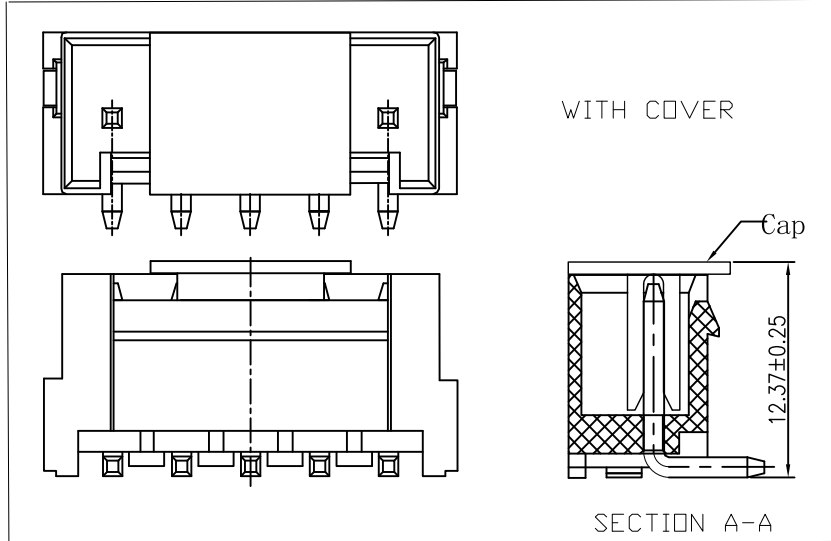
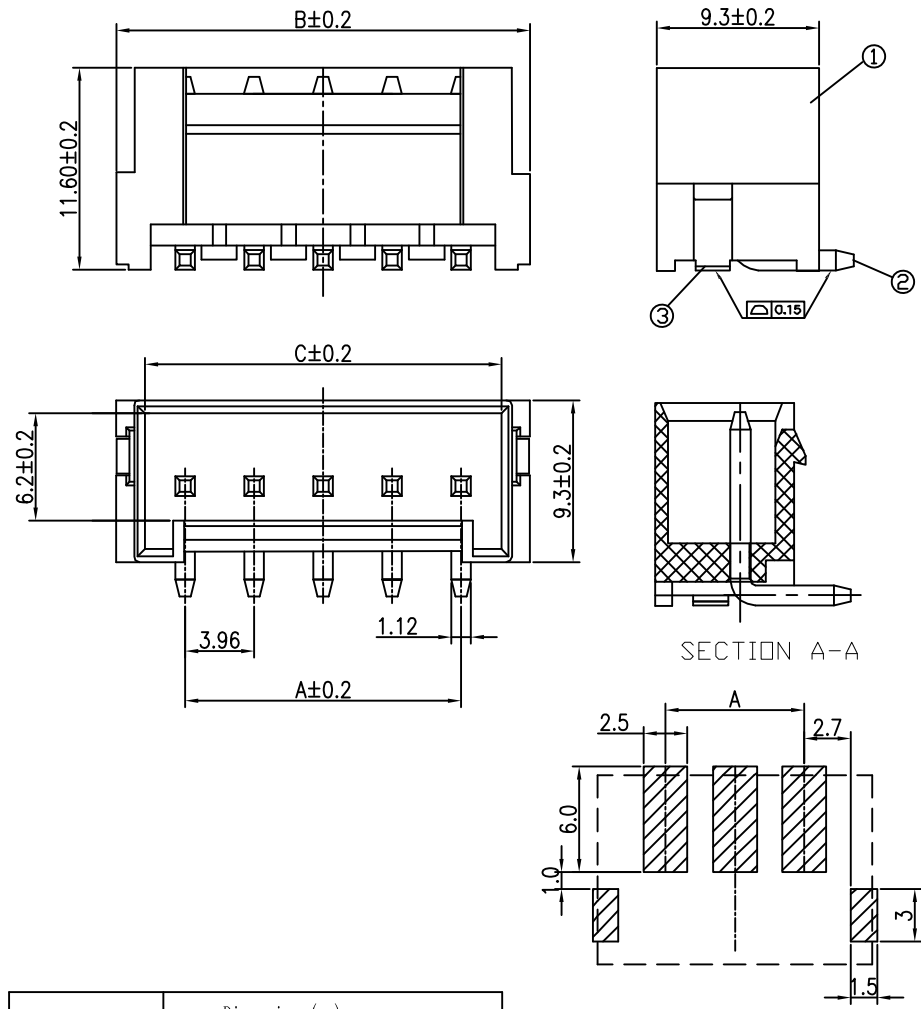


NOTE: THIS DRAWING WAS PRODUCED BY COMPUTER, DO NOT UPDATE MANUALLY

REV.	ECN NO.	DESCRIPTION	DESIGN	DATE
A0		新版发行	张媛婉	2019.09.15

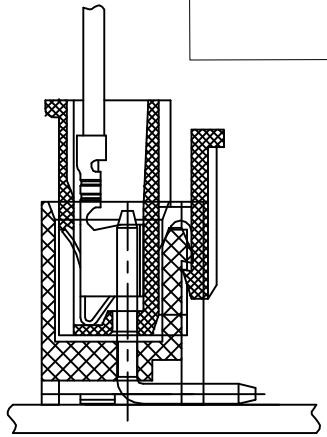
F
E
D
C
B
A
 These drawing and specification are the property of VIEHU ELECTRONICS CO., LTD and shall not be reproduced copied or used in any manner without the prior written Consent of ours.



- 技术要求:
- 1、塑件材料: LCP (UL-94V-0)
 - 2、接触件: 黄铜镀锡
 - 3、接触电阻: ≤30mΩ
 - 4、绝缘电阻: ≥1000MΩ
 - 5、额定电压: 250V AC DC
 - 6、额定电流: 7.0A AC DC
 - 7、耐压: 能承受1000V AC/Min ute
 - 8、工作温度: -25°~~+85°
 - 9、可焊性试验: 浸锡面积≥95%温度260,时间 2.5±0.5 秒
 - 10、铅和镉等六大有害物质含量要符合环保要求

Circuits	Dimensions (mm)		
	DIM. A	DIM. B	DIM. C
02	3.96	11.88	8.60
03	7.92	15.84	12.56
04	11.88	19.80	16.52
05	15.84	23.76	20.48
06	19.80	27.72	24.44
07	23.76	31.68	28.40
08	27.72	35.64	32.36
09	31.68	39.60	36.32
10	35.64	43.56	40.28

SUGGESTED PCB LAYOUT (COMPONENT SIDE)



SUGGESTED PCB LAYOUT (COMPONENT SIDE)

料号说明:
TJ-JS-76 XX SN973-R
 Poles: 2~14

3	焊片 Fitting Nail	黄铜	2	电镀(锡): 整个表面镀底镍30u"MIN,再镀锡 80u"MIN..
2	端子 Contact	黄铜	n*1	电镀(锡): 整个表面镀底镍30u"MIN,再镀锡 80u"MIN..
1	基座 Wafer	LCP (UL94V-0)	1	米色
序号	名称	材料	数量	附注

GENERAL TOLERANCE	日期	2019.09.15	UNITS	SCALE
X. ±0.50	X'. ±5°	核准	mm	1:1
.X ±0.30	.X' ±2°	审核	REV.	SHEET
.XX ±0.25	.XX' ±1°	制图	A0	1/1
			SIZE	C
			A4	

ALINTA
 Alinta Electronics Co., Ltd.

品名:	A3962-SMT-nA立贴针座系列
料号:	SEE TABLE
图号:	DWG-TJ-973